



## NEWPORT

LIGHT CREWNECK

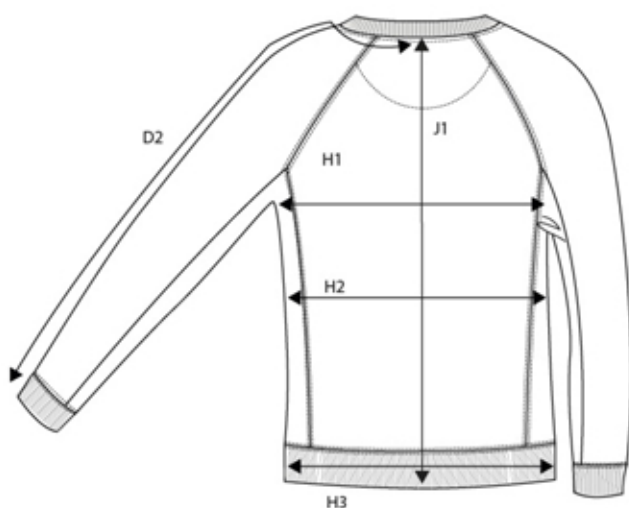
COLOR: GREY MELANGE, NAVY, BLACK

FABRIC  
FABRIC: 100% COTTON. GREY MELANGE: 90% COTTON/ 10% VISCOSE  
WEIGHT: 300 G/M2

SIZES (M):  
S / M / L / XL / XXL / 3XL / 4XL

SIZES (F):  
XS / S / M / L / XL / XXL / 3XL  
DETAILS

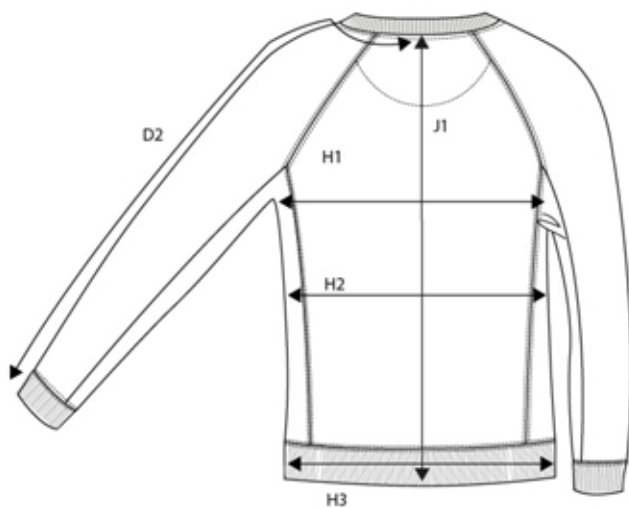
### SIZE AND FIT: NEWPORT CREWNECK



#### NEWPORT Mens

Base size: M / Measurement (in cm)

Diagram	S	M	L	XL	XXL	3XL	4XL
CENTRE BACK TO END OF SLEEVE - RAGLAN-	D2	85,5	<b>88</b>	90,5	93	95,5	100,5
CHEST WIDTH at armhole	H1	52	<b>55</b>	58	61	64	70
WAIST	H2	47,5	<b>50,5</b>	53,5	56,5	59,5	65,5
BOTTOM WIDTH - RIB BOTTOM EDGE	H4	44,5	<b>47,5</b>	50,5	53,5	56,5	62,5
FULL LENGTH at centre back	J1	66	<b>68</b>	70	72	74	78



#### NEWPORT Ladies

Base size: M / Measurement (in cm)

Diagram	XS	S	M	L	XL	XXL	3XL
CENTRE BACK TO END OF SLEEVE - For Raglan-	D2	78,5	80,25	<b>82</b>	83,75	85,5	100,5
CHEST WIDTH at armhole	H1	44	47	<b>50</b>	53	56	70
WAIST	H2	41	44	<b>47</b>	50	53	65,5
BOTTOM WIDTH - RIB BOTTOM EDGE	H4	40	43	<b>46</b>	49	52	62,5
FULL LENGTH at centre back	J1	58	60	<b>62</b>	64	66	78