



TORRANCE

RAW AND STYLISH DENIM SHIRT

COLOR: INDIGO BLUE

FABRIC
FABRIC: 98% COTTON / 2% ELASTANE. GARMENT WASHED
WEIGHT: 175 G/M2

SIZES (M):

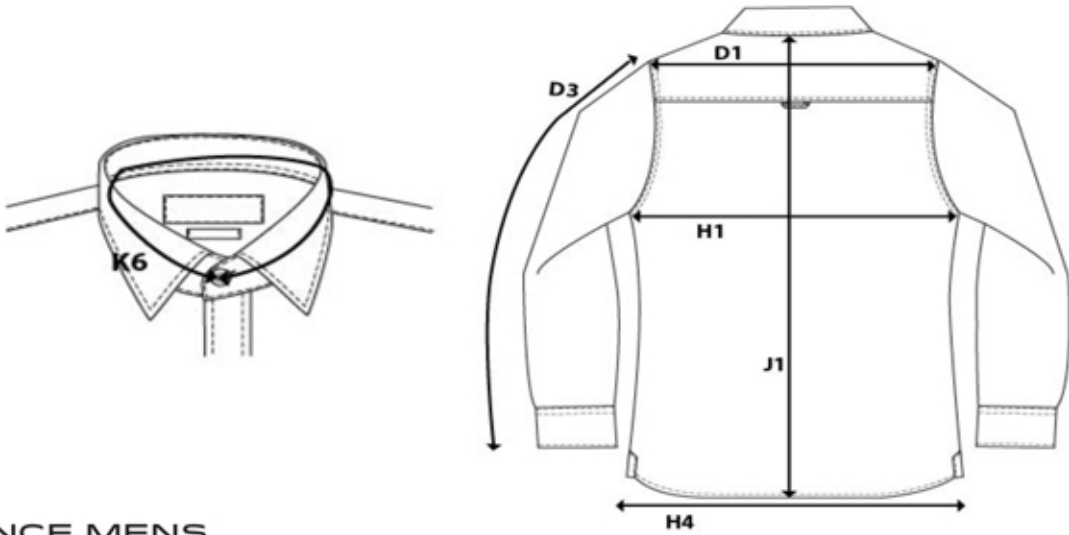
S / M / L / XL / XXL / 3XL / 4XL

SIZES (F):

XS / S / M / L / XL / XXL / 3XL

DETAILS

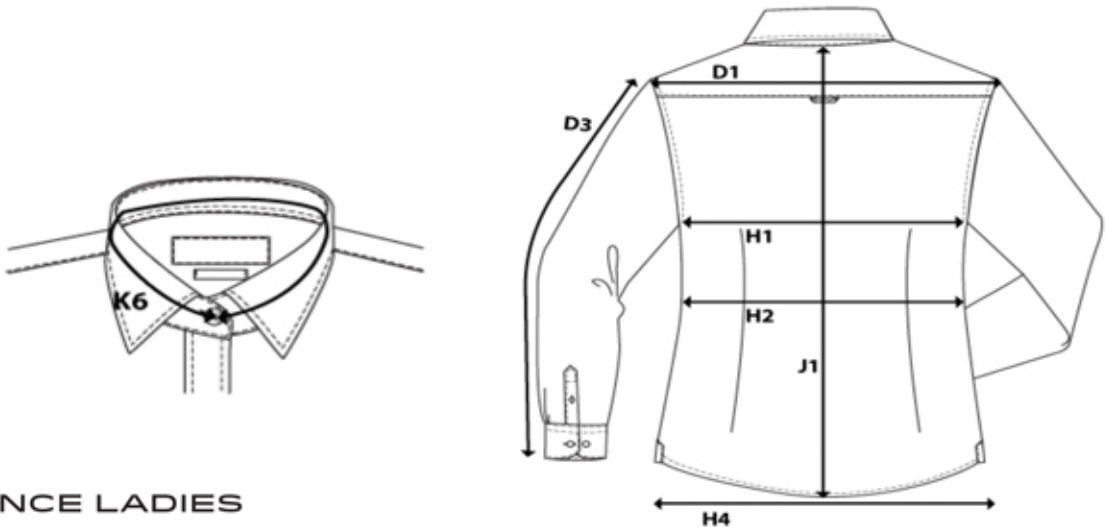
SIZE AND FIT: TORRANCE



TORRANCE MENS

BASE SIZE: M

Measurement (in cm)	Diagram	S	M	L	XL	XXL	3XL	4XL
SHOULDER TO SHOULDER	D1	45	46	47	48,5	50	51,5	53
SLEEVE LENGTH - from shoulder seam	D3	65,5	67	68,5	70,5	72,5	74,5	74,5
CHEST WIDTH at armhole	H1	51,5	53,5	55,5	58,5	61,5	64,5	67,5
FULL LENGTH at centre back	J1	76	78	80	82	84	86	86
NECKLINE CF TO CF	K6	40,5	42	43,5	45	46,5	48	49,5



TORRANCE LADIES

BASE SIZE: M

Measurement (in cm)	Diagram	XS	S	M	L	XL	XXL
SHOULDER TO SHOULDER	D1	40	41	42	43	44	45,5
SLEEVE LENGTH - from shoulder seam	D3	62	63	64	65	66	67
CHEST WIDTH at armhole	H1	46	47	50	53	56	59
WAIST	H2	38	42	44	47	50	53
BOTTOM WIDTH	H4	45	48	51	54	57	60
FULL LENGTH at centre back	J1	63	65	67	69	71	73
NECKLINE CF TO CF	K6	36	37	38	39	40	41