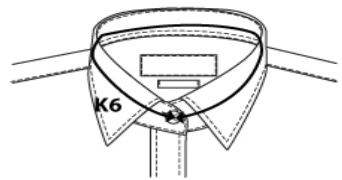
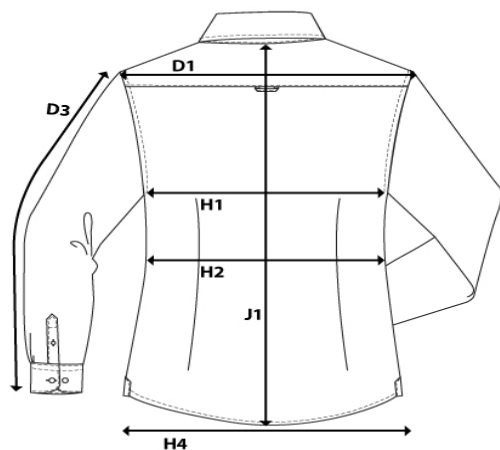


### TORRANCE SLIM FIT *Mens*

| Base size: <b>M</b> / Measurement (in cm) | Diagram | S    | M           | L    | XL   | XXL  | 3XL  | 4XL  |
|---|---------|------|-------------|------|------|------|------|------|
| COLLAR neck line CF to CF                 | K6      | 40,5 | <b>42</b>   | 43,5 | 45   | 46,5 | 48   | 49,5 |
| SLEEVE LENGTH from shoulder seam          | D3      | 66   | <b>67</b>   | 69   | 71   | 73   | 75   | 75   |
| CHEST WIDTH at armhole                    | H1      | 52   | <b>54</b>   | 56   | 59   | 62   | 65   | 68   |
| WAIST                                     | H2      | 49,5 | <b>51,5</b> | 53,5 | 56,5 | 59,5 | 62,5 | 65,5 |
| BOTTOM WIDTH                              | H4      | 52   | <b>54</b>   | 56   | 59   | 62   | 65   | 68   |
| FULL LENGTH at centre back                | J1      | 75   | <b>77</b>   | 79   | 81   | 83   | 85   | 85   |

### TORRANCE MODERN FIT *Mens*

| Base size: <b>M</b> / Measurement (in cm) | Diagram | S    | M         | L    | XL   | XXL  | 3XXL |
|---|---------|------|-----------|------|------|------|------|
| COLLAR - neckline CF to CF                | K6      | 40,5 | <b>42</b> | 43,5 | 45   | 46,5 | 48   |
| SLEEVE LENGTH from shoulder seam          | D3      | 66,5 | <b>68</b> | 69,5 | 71,5 | 73,5 | 75,5 |
| CHEST WIDTH at armhole                    | H1      | 54   | <b>56</b> | 58   | 61   | 64   | 67   |
| WAIST                                     | H2      | 52   | <b>54</b> | 56   | 59   | 62   | 65   |
| BOTTOM WIDTH                              | H4      | 53   | <b>55</b> | 57   | 60   | 63   | 66   |
| FULL LENGTH at centre back                | J1      | 74   | <b>76</b> | 78   | 80   | 82   | 84   |



### TORRANCE *Ladies*

| Base size: <b>M</b> / Measurement (in cm) | Diagram | XS | S  | M         | L  | XL | XXL | 3XL |
|---|---------|----|----|-----------|----|----|-----|-----|
| COLLAR - neck line from CF to CF          | K6      | 36 | 37 | <b>38</b> | 39 | 40 | 41  | 42  |
| SLEEVE LENGTH from shoulder seam          | D3      | 62 | 63 | <b>64</b> | 65 | 66 | 67  | 68  |
| CHEST WIDTH at armhole                    | H1      | 46 | 47 | <b>50</b> | 53 | 56 | 60  | 64  |
| WAIST                                     | H2      | 38 | 42 | <b>44</b> | 47 | 50 | 54  | 58  |
| BOTTOM WIDTH                              | H4      | 45 | 48 | <b>51</b> | 54 | 57 | 61  | 65  |
| FULL LENGTH at centre back                | J1      | 63 | 65 | <b>68</b> | 70 | 72 | 75  | 77  |



SIZE GUIDE

**LADIES**

CM

|       | EN / UK / US<br><b>XS / 8 / 4</b> | EN / UK / US<br><b>S / 10 / 6</b> | EN / UK / US<br><b>M / 12 / 8</b> | EN / UK / US<br><b>L / 14 / 10</b> | EN / UK / US<br><b>XL / 16 / 12</b> | EN / UK / US<br><b>2XL / 18 / 14</b> | EN / UK / US<br><b>3XL / 20 / 16</b> |
|-------|-----------------------------------|-----------------------------------|-----------------------------------|------------------------------------|-------------------------------------|--------------------------------------|--------------------------------------|
| CHEST | 75-80                             | 81-86                             | 87-92                             | 93-98                              | 99-104                              | 105-111                              | 112-118                              |
| WAIST | 59-64                             | 65-70                             | 71-76                             | 77-82                              | 83-88                               | 89-95                                | 96-103                               |
| HIP   | 83-88                             | 89-94                             | 96-101                            | 102-107                            | 108-113                             | 114-120                              | 121-127                              |

**MENS**

CM

|       | EN / UK + US<br><b>S</b> | EN / UK + US<br><b>M</b> | EN / UK + US<br><b>L</b> | EN / UK + US<br><b>XL</b> | EN / UK + US<br><b>2XL</b> | EN / UK + US<br><b>3XL</b> | EN / UK + US<br><b>4XL</b> |
|-------|--------------------------|--------------------------|--------------------------|---------------------------|----------------------------|----------------------------|----------------------------|
| NECK  | 37/38                    | 39/40                    | 41/42                    | 43/44                     | 45/46                      | 47/48                      | 49/50                      |
| CHEST | 90-95                    | 96-101                   | 102-107                  | 108-113                   | 114-119                    | 120-125                    | 126-131                    |
| WAIST | 76-81                    | 82-87                    | 88-93                    | 94-99                     | 100-105                    | 106-111                    | 112-117                    |
| HIP   | 92-97                    | 98-103                   | 104-109                  | 110-115                   | 116-121                    | 122-127                    | 128-133                    |

HOW TO MEASURE

