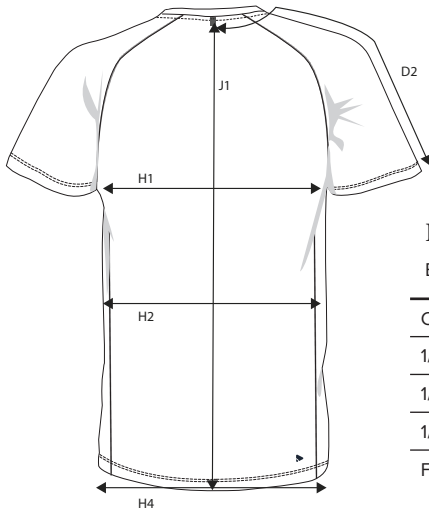


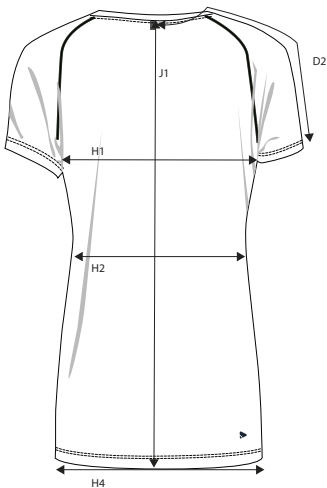
NIMBUS® | *Play*

PRODUCT MEASUREMENT SIZE AND FIT: FREEMONT & PEYTON



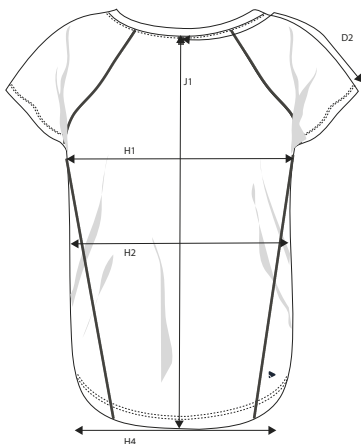
FREEMONT *Men*

Base size: M / Measurement (in cm)	Diagram	S	M	L	XL	XXL	3XL	4XL
CENTRE BACK TO END OF SLEEVE	D2	42,75	44	45,25	46,5	47,75	49	50,25
1/2 CHEST WIDTH at armhole	H1	50,5	53,5	56,5	59,5	62,5	65,5	68,5
1/2 WAIST WIDTH	H2	48,5	51,5	54,5	57,5	60,5	63,6	66,5
1/2 BOTTOM WIDTH	H4	49	52	55	58	61	64	67
FULL LENGTH at centre back	J1	68	70	72	74	76	78	78



FREEMONT *Women*

Base size: M / Measurement (in cm)	Diagram	XS	S	M	L	XL	XXL	3XL
CENTRE BACK TO END OF SLEEVE	D2	33	34,25	35,5	36,75	38	39,25	40,5
1/2 CHEST WIDTH at armhole	H1	42	45	48	51	54	58	62
1/2 WAIST	H2	39,5	42,5	45,5	48,5	51,5	56,5	60,5
1/2 BOTTOM WIDTH	H4	42	45	48	51	54	58	62
FULL LENGTH at centre back	J1	62	64	66	68	70	72	73



PEYTON *Women*

Base size: M / Measurement (in cm)	Diagram	S	M	L	XL	XXL	3XL
CENTRE BACK TO END OF SLEEVE	D2	19	20	21	22	23	24
1/2 CHEST WIDTH at armhole	H1	53	56	59	62	65	68
1/2 WAIST	H2	53	56	59	62	65	68
1/2 BOTTOM WIDTH	H4	53	56	59	62	65	68
FULL LENGTH at centre back	J1	63	64	67	69	71	73



SIZE GUIDE

LADIES

CM

	EN / UK / US XS / 8 / 4	EN / UK / US S / 10 / 6	EN / UK / US M / 12 / 8	EN / UK / US L / 14 / 10	EN / UK / US XL / 16 / 12	EN / UK / US 2XL / 18 / 14	EN / UK / US 3XL / 20 / 16
CHEST	75-80	81-86	87-92	93-98	99-104	105-111	112-118
WAIST	59-64	65-70	71-76	77-82	83-88	89-95	96-103
HIP	83-88	89-94	96-101	102-107	108-113	114-120	121-127

MENS

CM

	EN / UK + US S	EN / UK + US M	EN / UK + US L	EN / UK + US XL	EN / UK + US 2XL	EN / UK + US 3XL	EN / UK + US 4XL
NECK	37/38	39/40	41/42	43/44	45/46	47/48	49/50
CHEST	90-95	96-101	102-107	108-113	114-119	120-125	126-131
WAIST	76-81	82-87	88-93	94-99	100-105	106-111	112-117
HIP	92-97	98-103	104-109	110-115	116-121	122-127	128-133

HOW TO MEASURE

